

2864

20159

SERVICE
MANUAL

CD-73

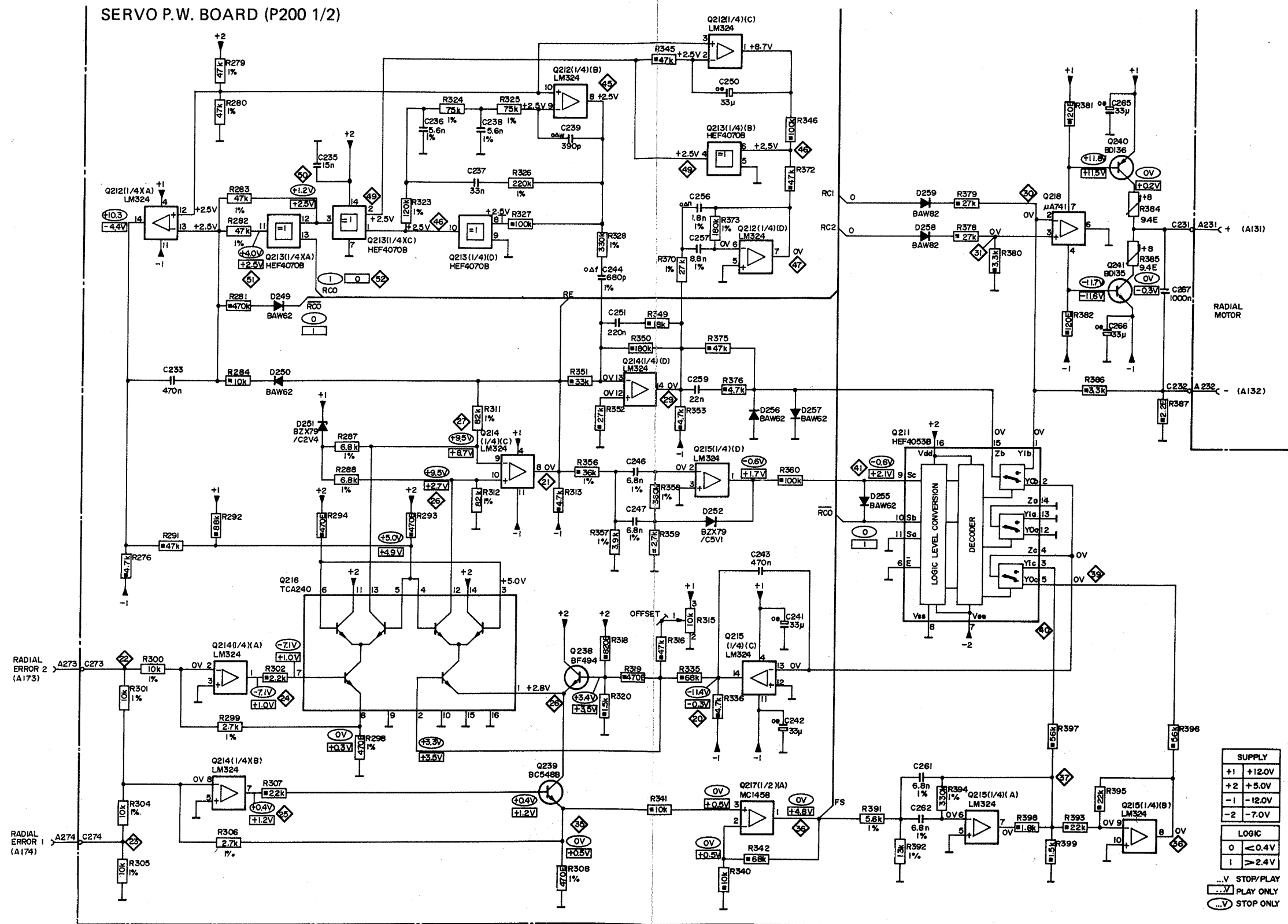
marantz®

model CD-73

Compact Disc Player

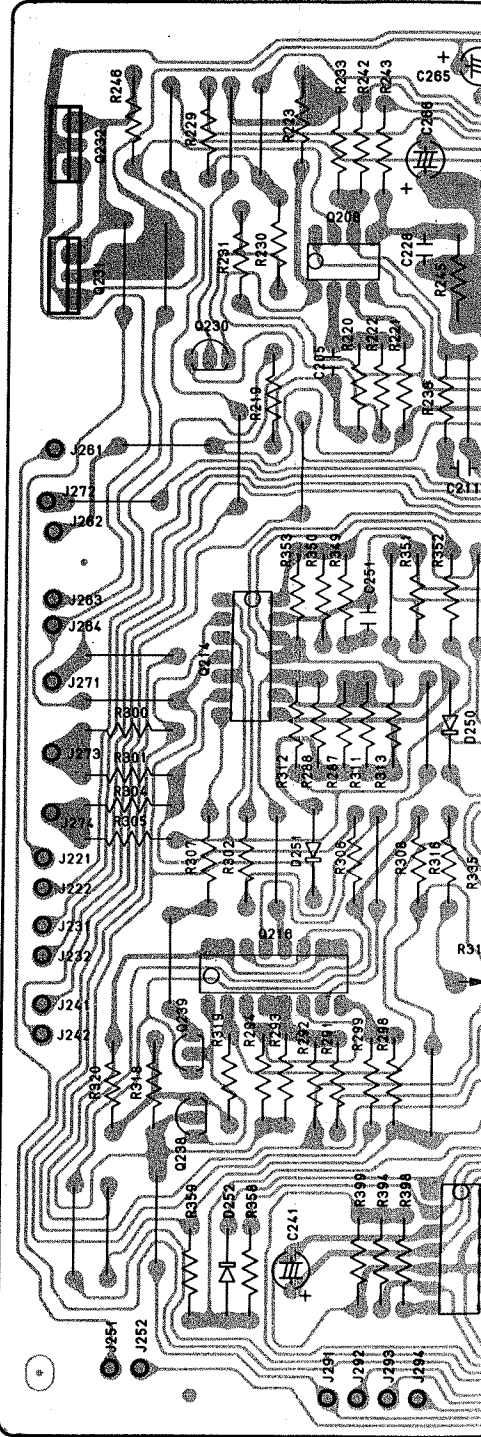
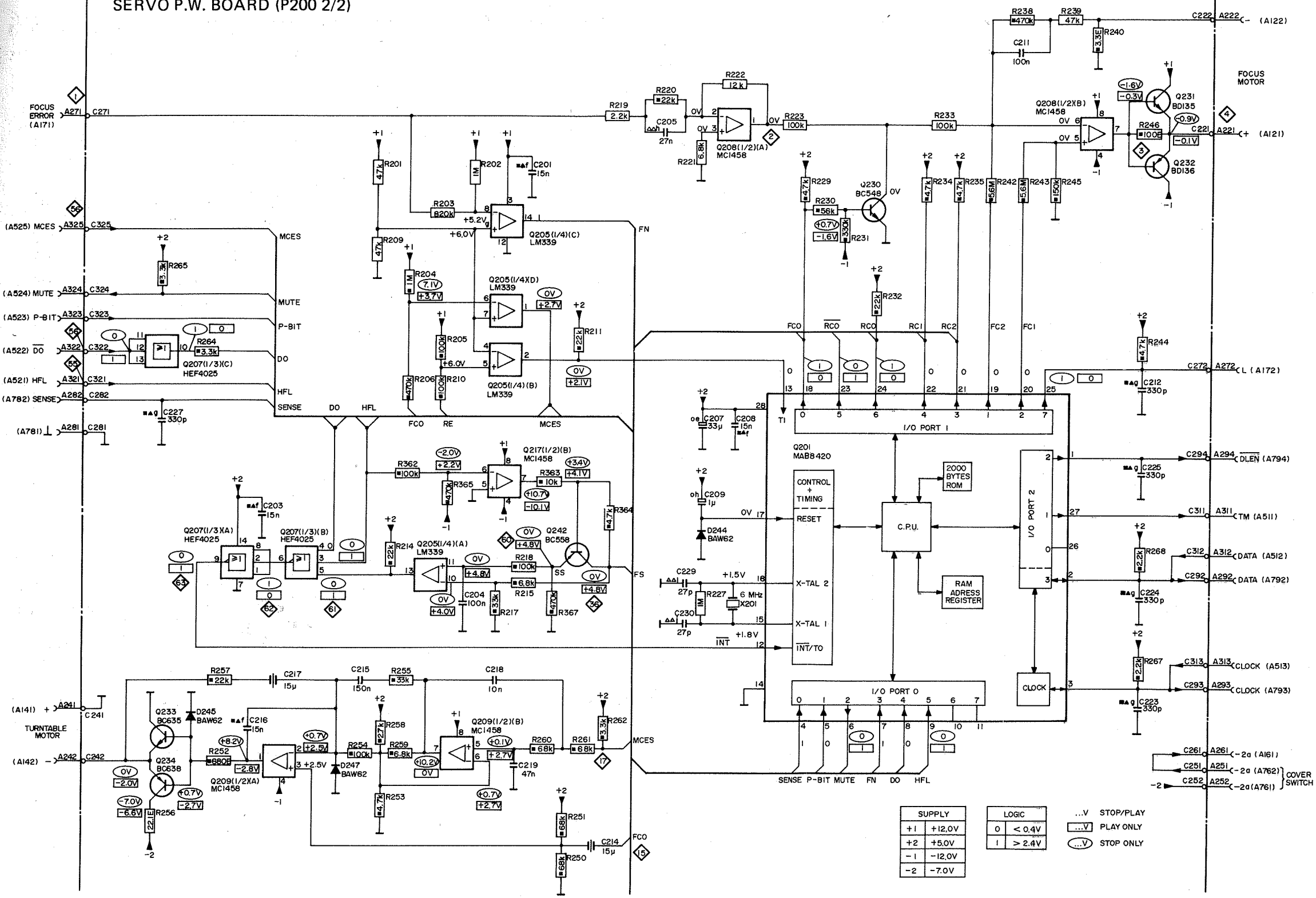
8. DIAGRAM AND COMPONENT LOCATIONS

8.1 Servo (P200) Schematic Diagram and Component Locations

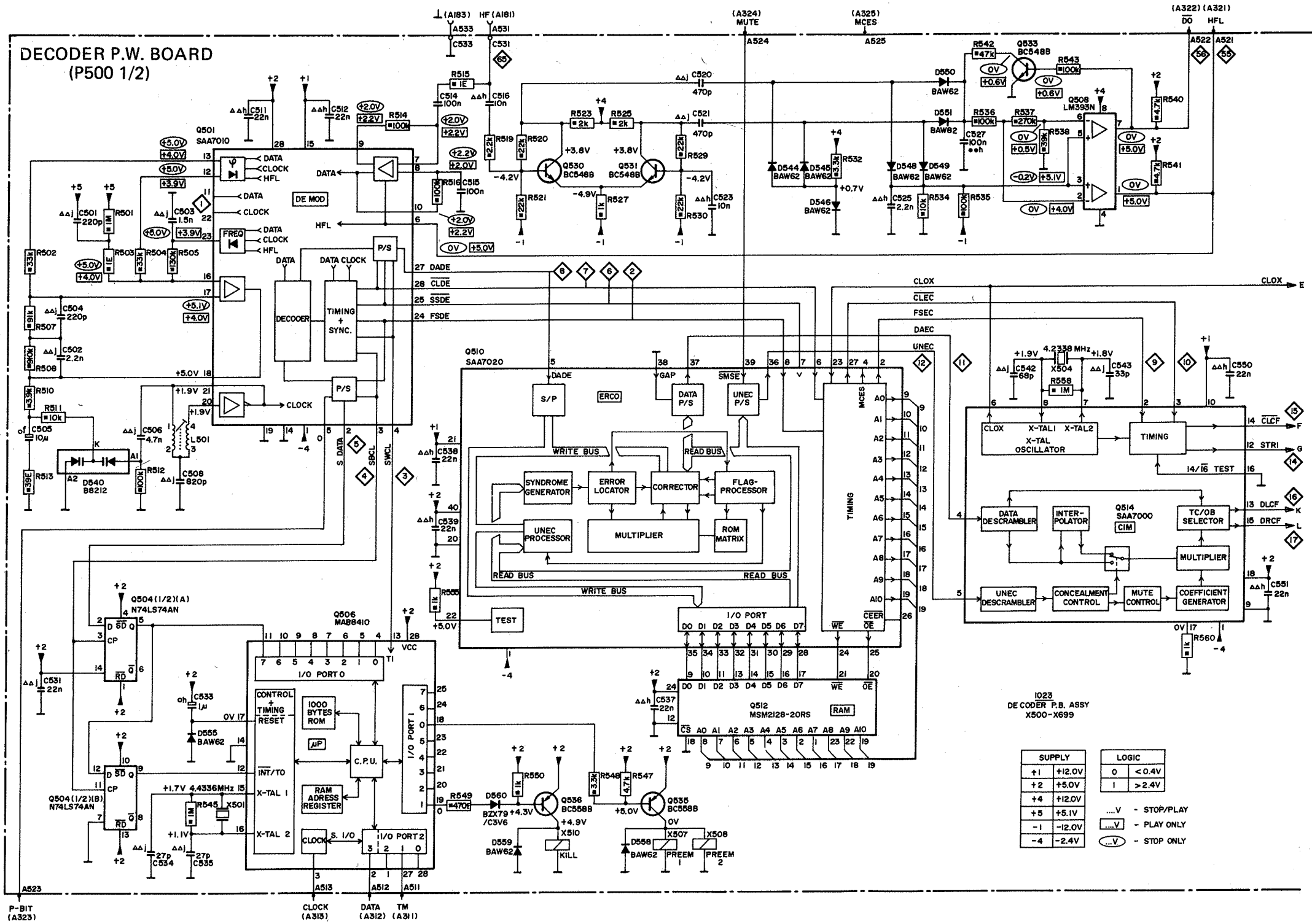


m 3592

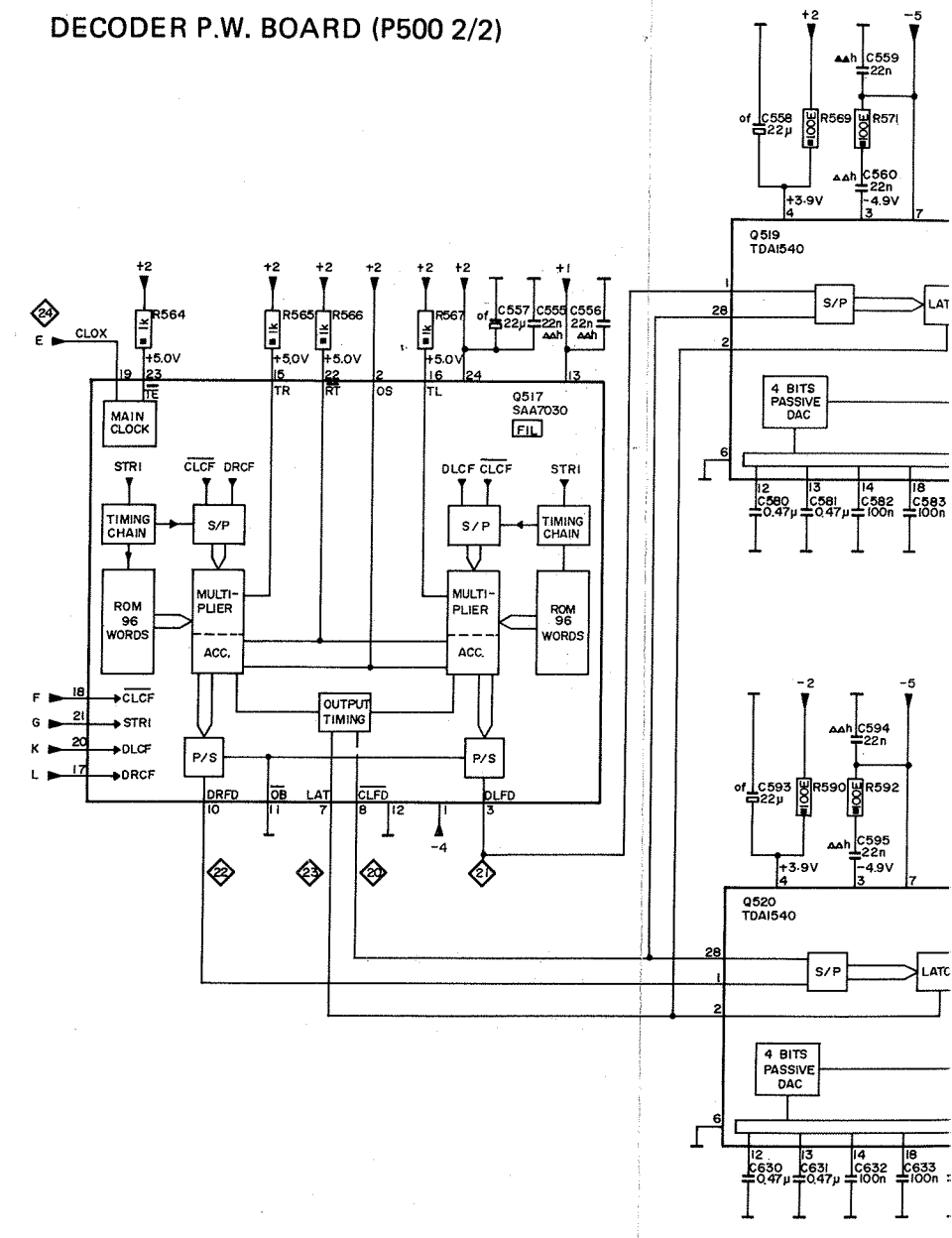
SERVO P.W. BOARD (P200 2/2)



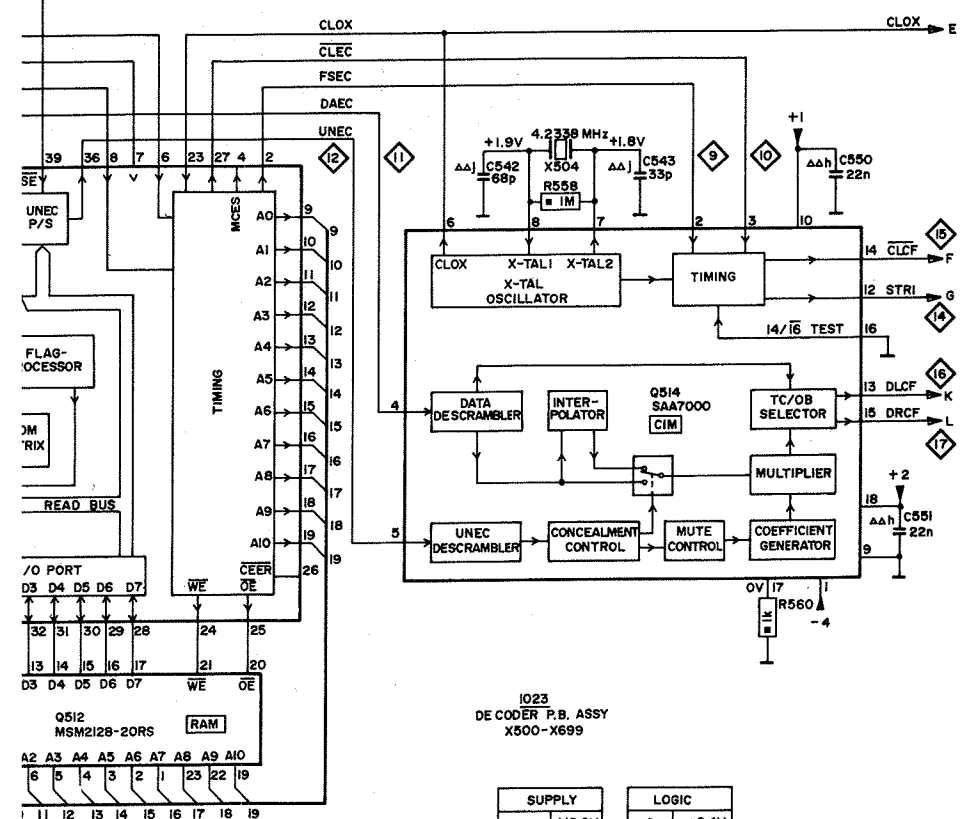
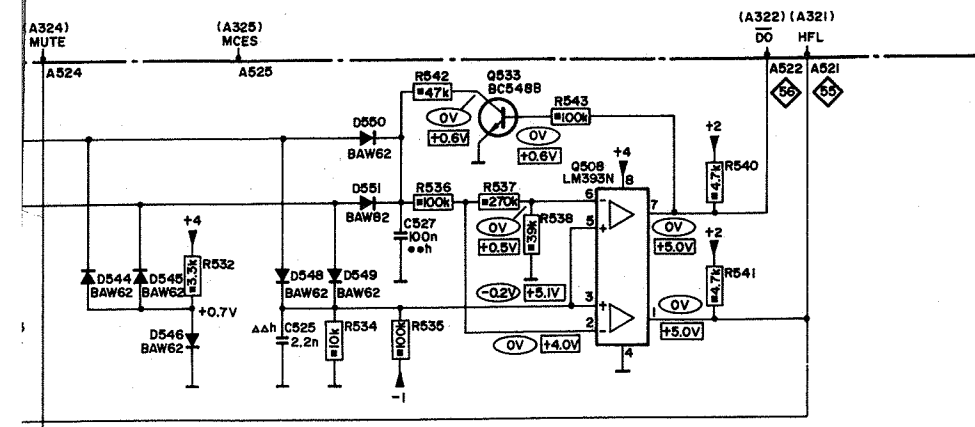
8.2 Decoder (P500) Schematic Diagram and Component Locations



DECODER P.W. BOARD (P500 2/2)



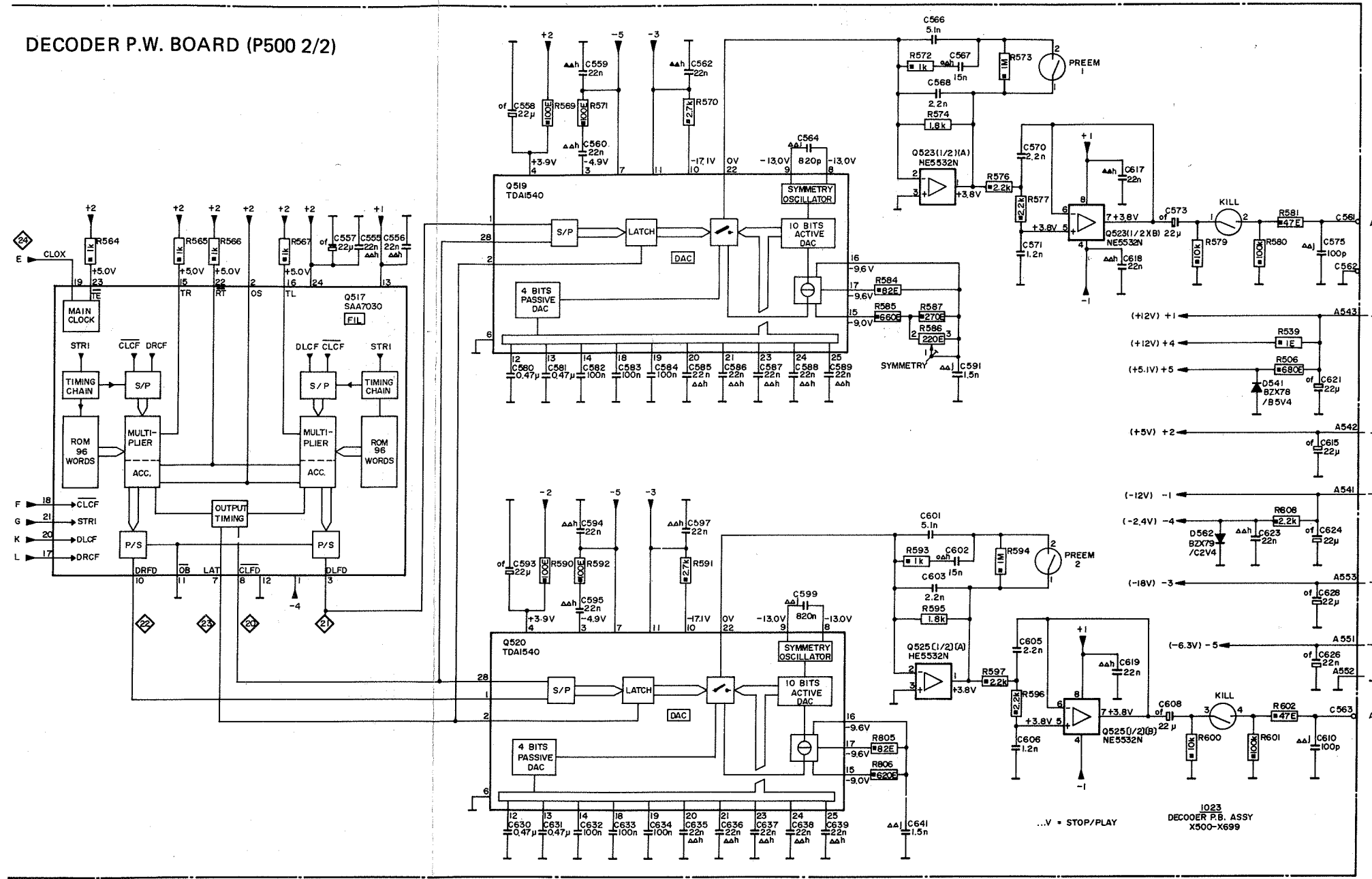
m 3594



1023 DE CODER P.B. ASSY X500-X699

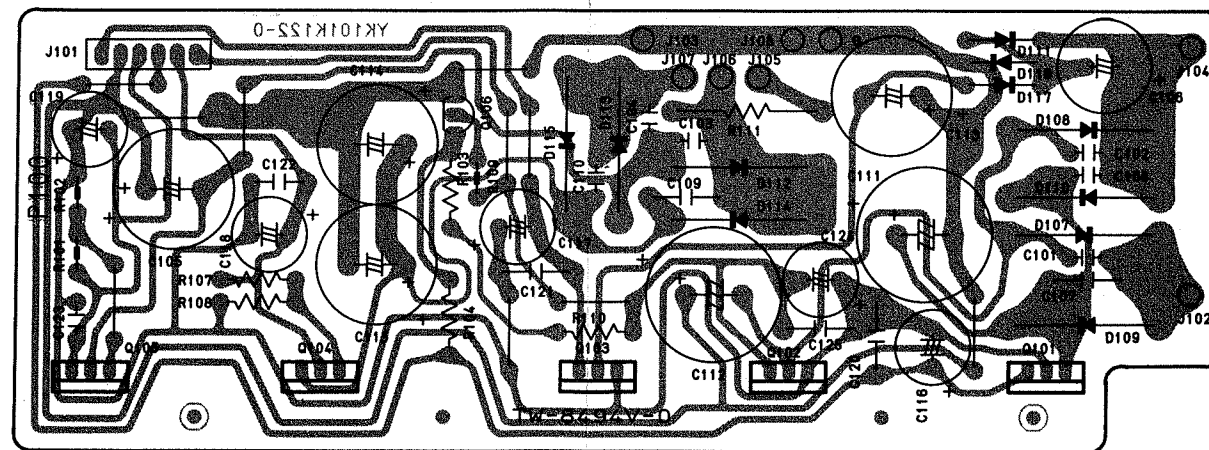
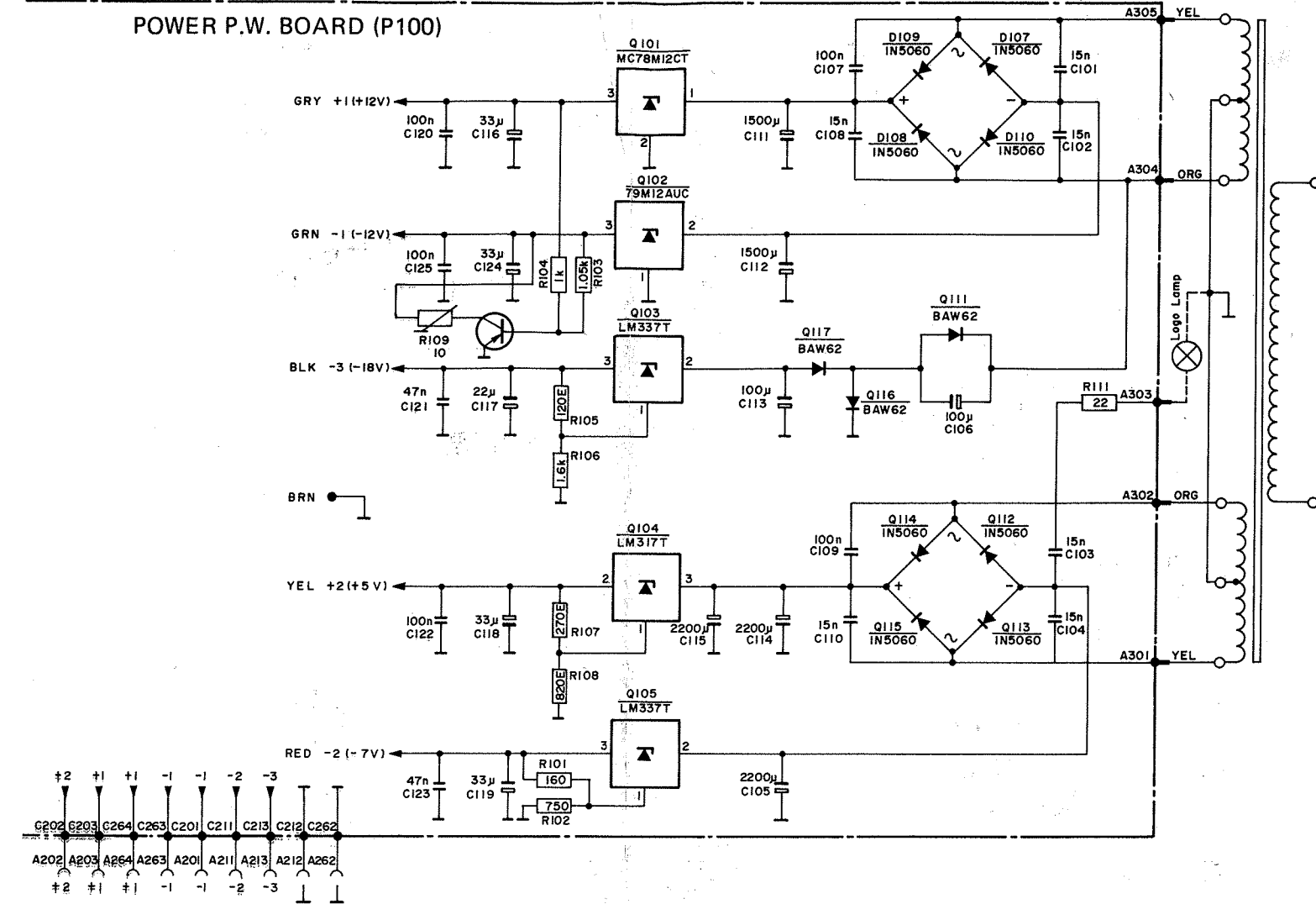
SUPPLY	LOGIC
+1 +12.0V	0 < 0.4V
+2 +5.0V	1 > 2.4V
+4 +12.0V	...V - STOP/PLAY
+5 +5.1V	...V - PLAY ONLY
-1 -12.0V	...V - STOP ONLY
-4 -2.4V	

DECODER P.W. BOARD (P500 2/2)

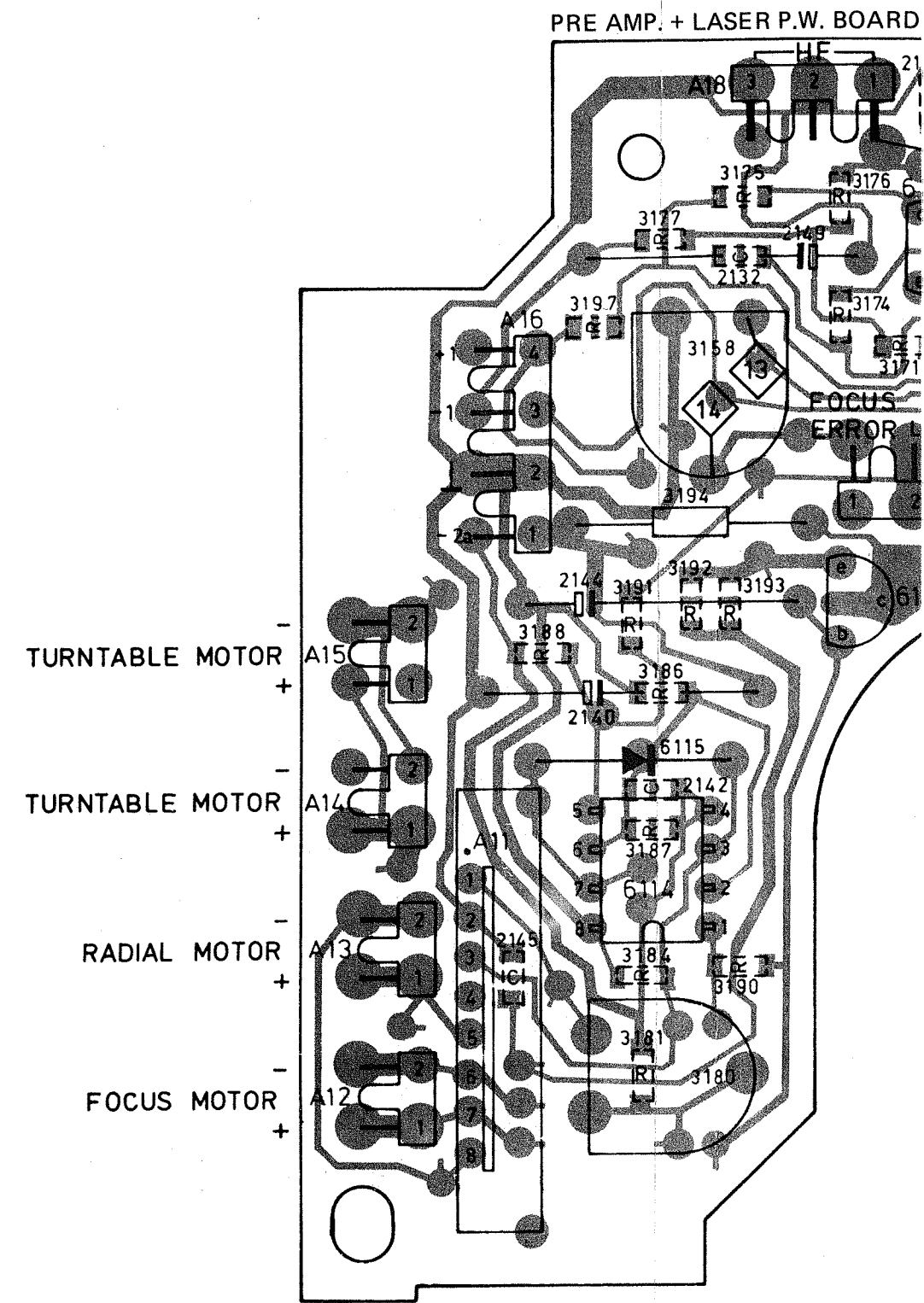
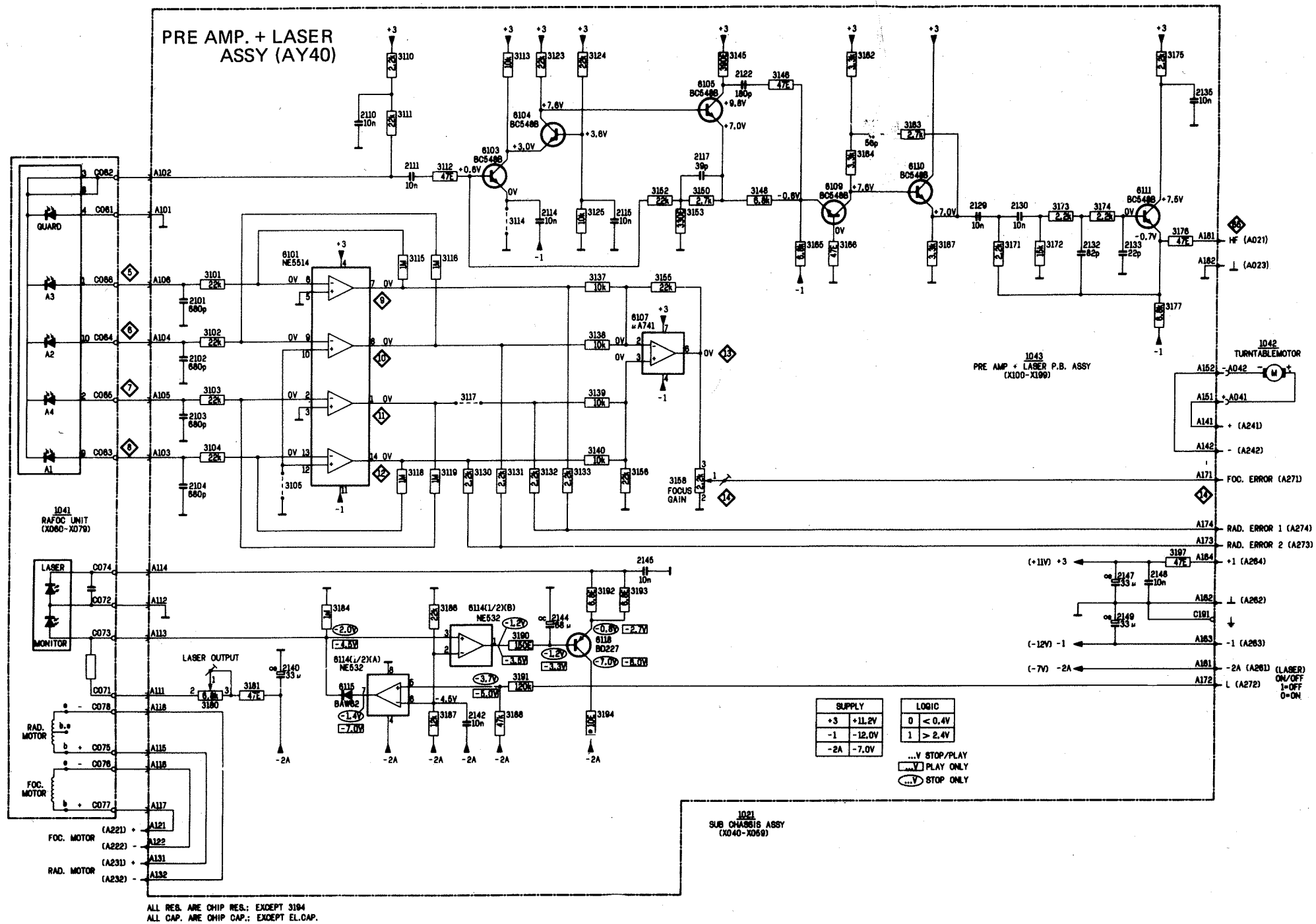


1023 DECODER P.B. ASSY X500-X699

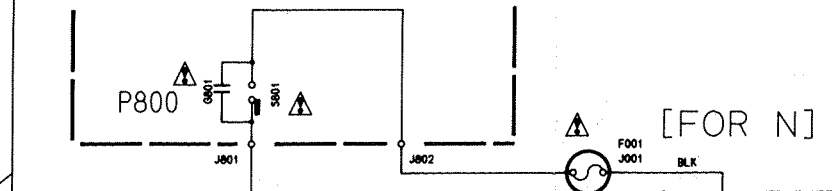
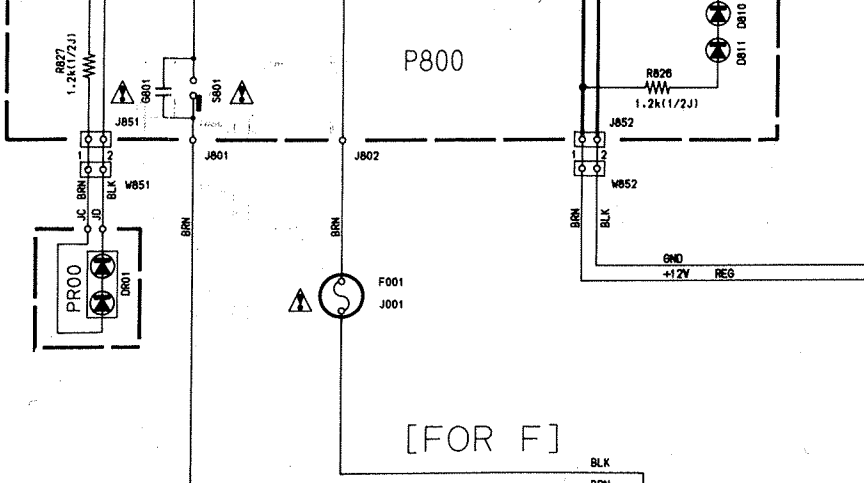
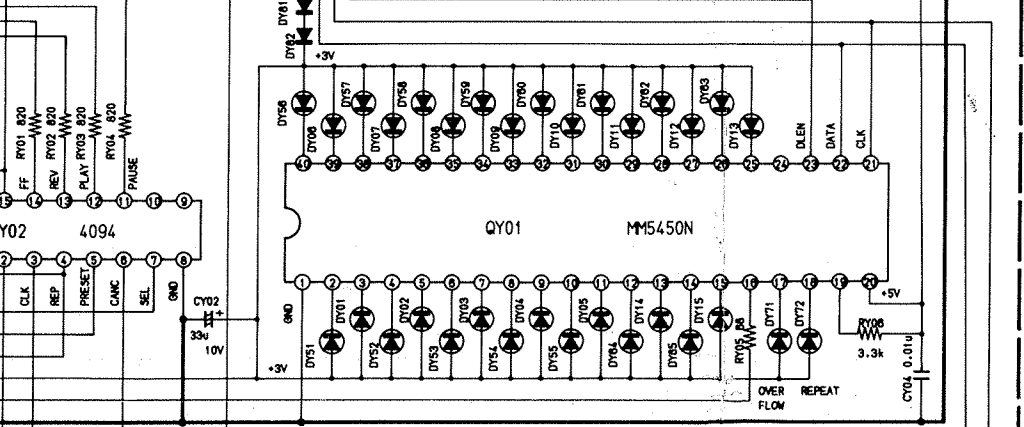
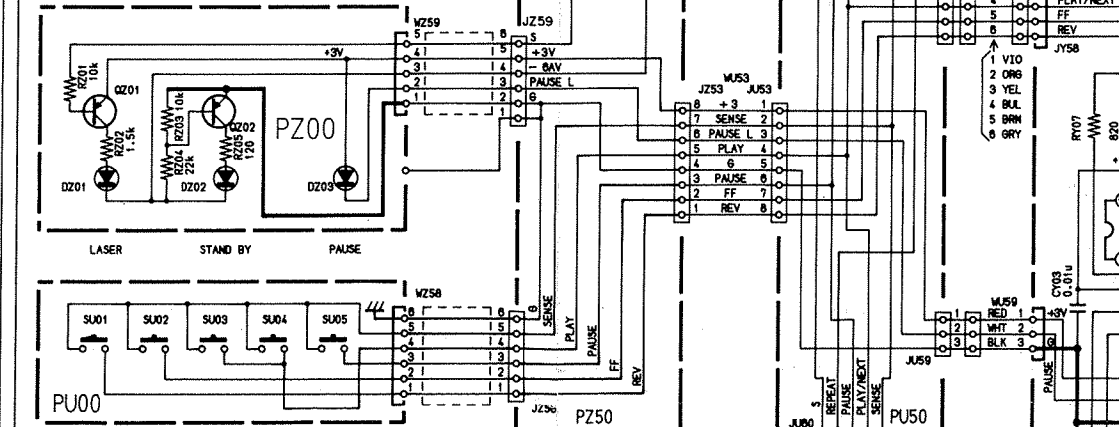
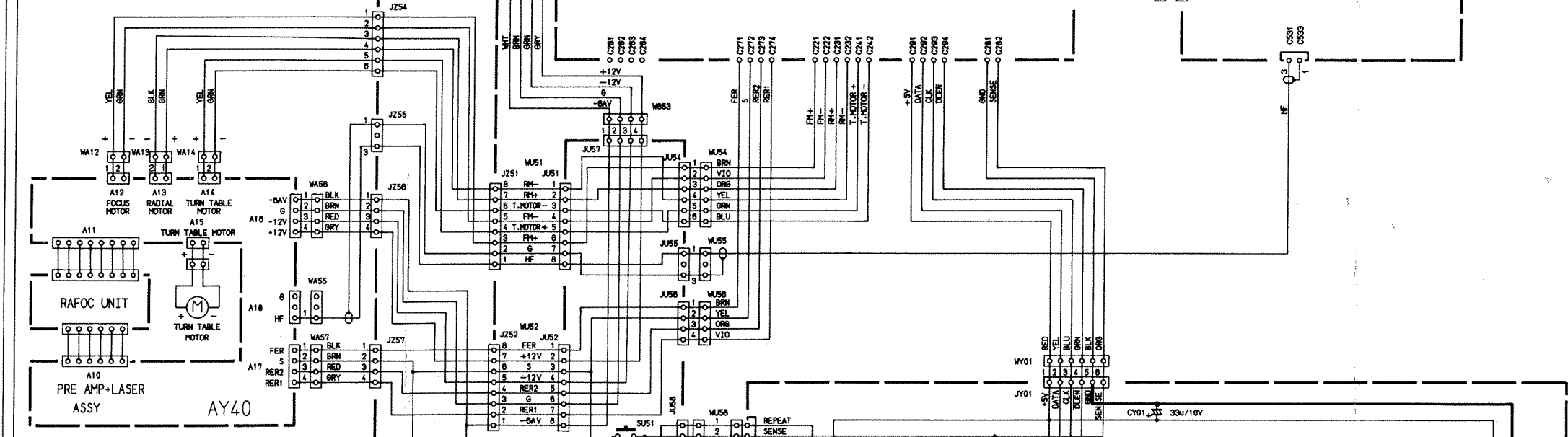
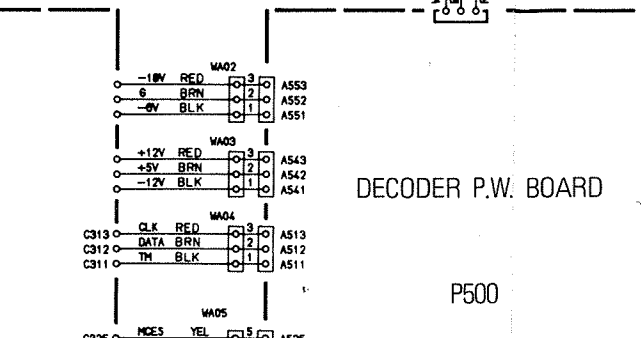
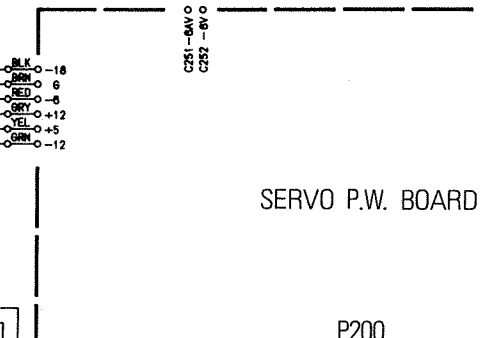
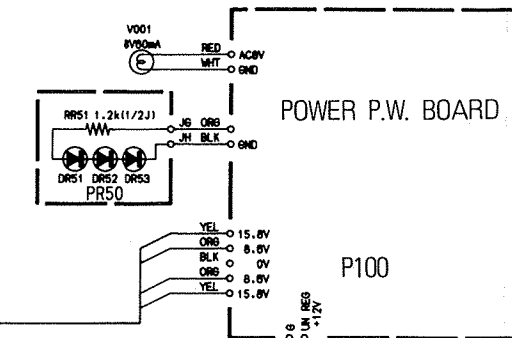
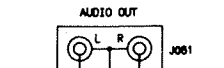
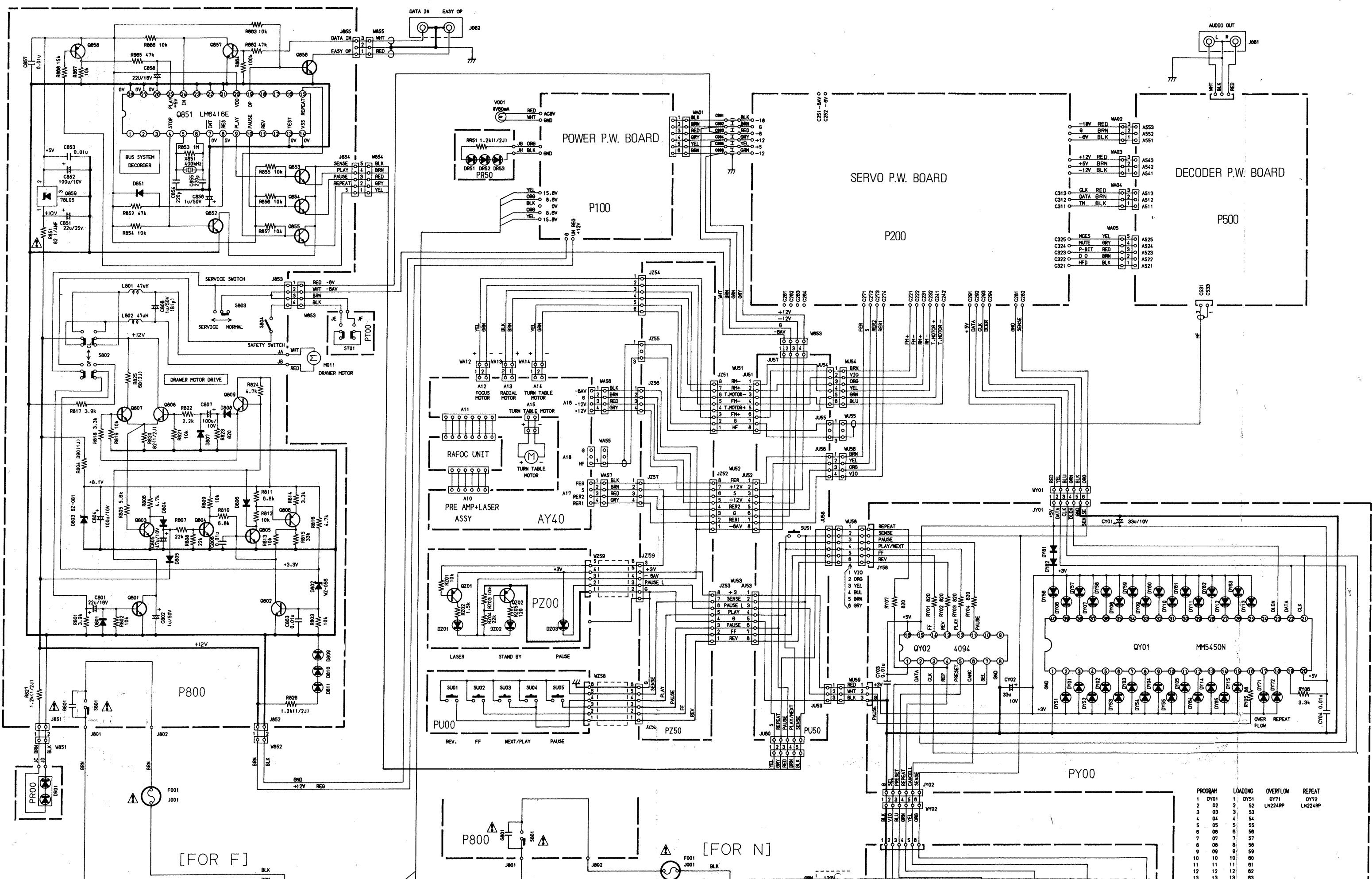
8.3 Power Supply (P100) Schematic Diagram and Component Locations



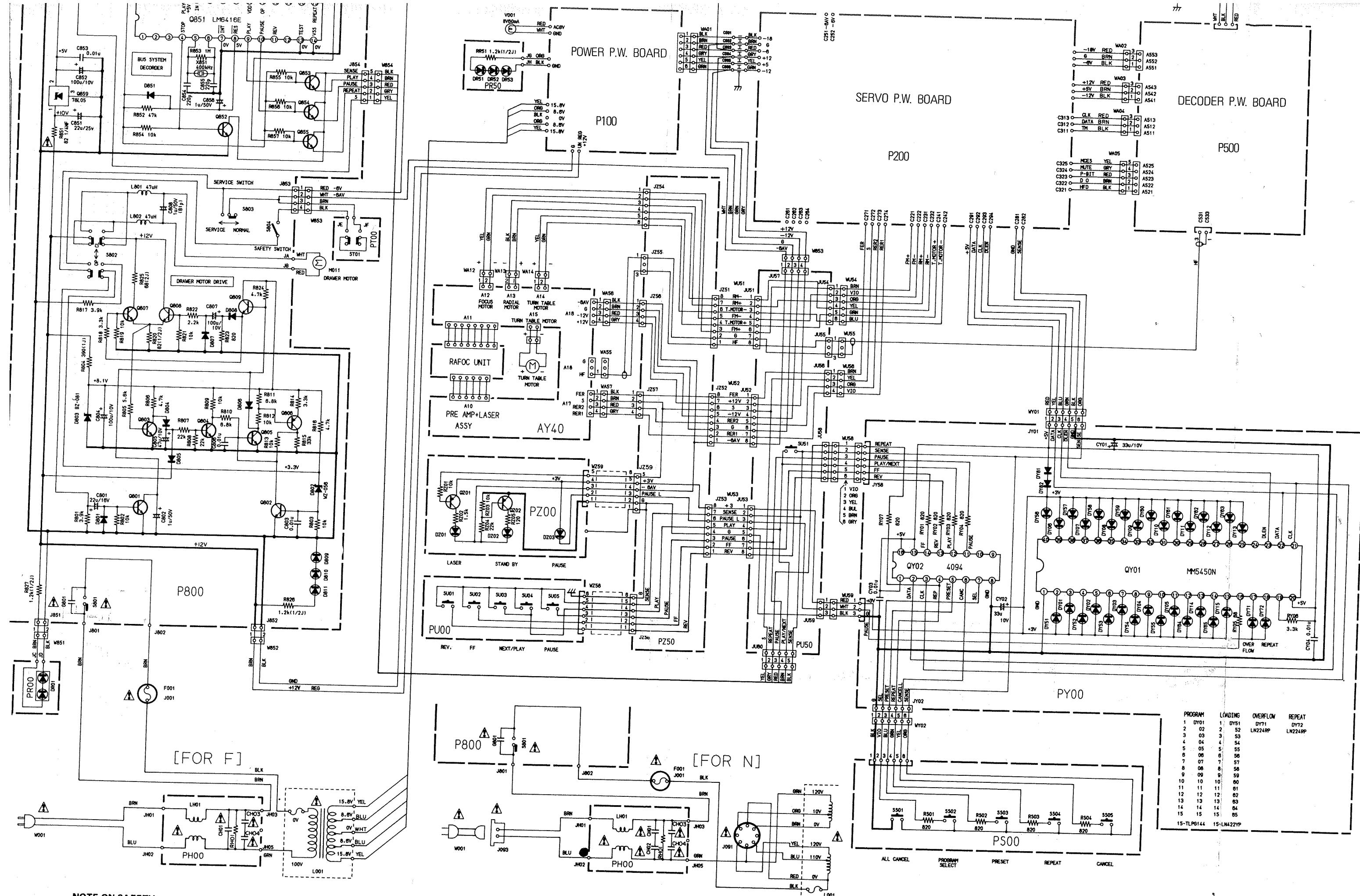
8.4 Pre Amp. + Laser (AY40) Schematic Diagram and Component Locations



RAM



PROGRAM	LOADING	OVERFLOW	REPEAT
1	DY01	DY51	DY72
2	02	52	LN224RP
3	03	53	
4	04	54	
5	05	55	
6	06	56	
7	07	57	
8	08	58	
9	09	59	
10	10	60	
11	11	61	
12	12	62	
13	13	63	



NOTE ON SAFETY :
 Symbol Fire or electrical shock hazard. Only original parts should be used to replace any part marked with symbol . Any other component substitution (other than original type), may increase risk of fire or electrical shock hazard.

Components and wiring are subject to change for modification without notice.

PROGRAM	LOADING	OVERFLOW	REPEAT
1	DY01	DY51	DY72
2	02	52	LN224RP
3	03	53	LN224RP
4	04	54	
5	05	55	
6	06	56	
7	07	57	
8	08	58	
9	09	59	
10	10	60	
11	11	61	
12	12	62	
13	13	63	
14	14	64	
15	15	65	
15-TLP6144	15-LM422YP		